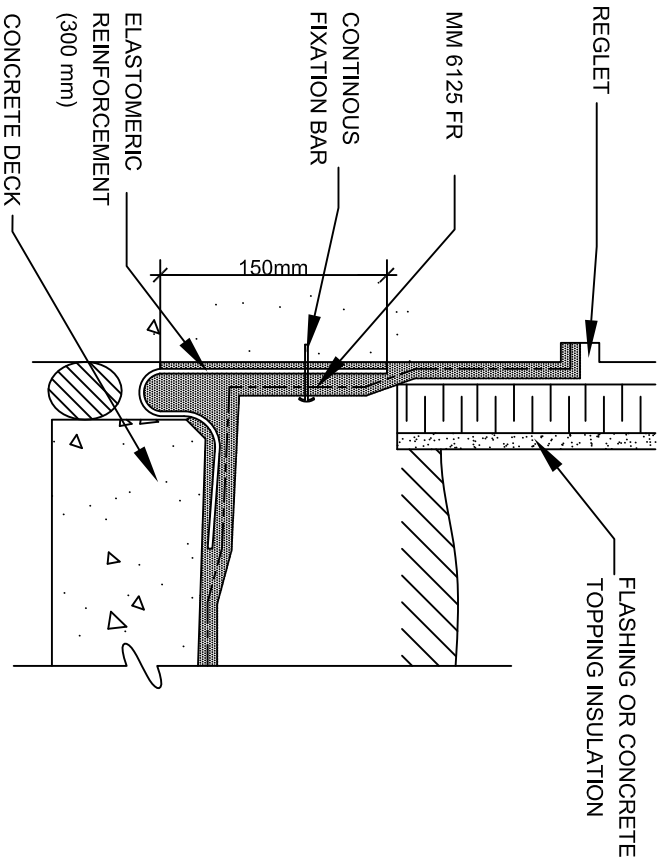
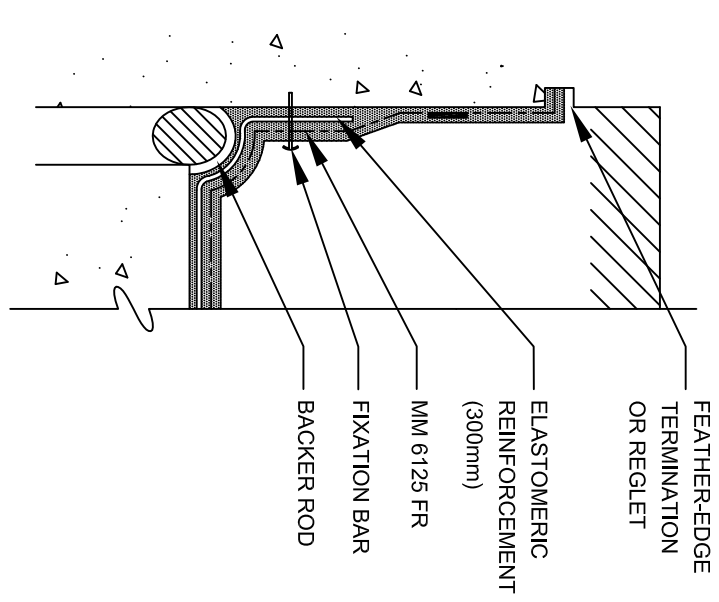


NOTE:  
 OVERLAP END JOINTS OF ELASTOMERIC  
 REINFORCEMENT (MIN 300 mm)



**PROPOSITION 1**  
 ABOVE SOIL LEVEL TERMINATION



**PROPOSITION 2**  
 BELOW SOIL LEVEL TERMINATION



MONOLITHIC MEMBRANE  
 #6125  
 WATERPROOFING SYSTEMS

HYDROTECH MEMBRANE CORP.

EXPANSION JOINT AT CHANGE OF PLANE  
 LESS THAN 50% MOVEMENT  
 OR LESS THAN 50 mm WIDTH

NO SCALE

WC-6E