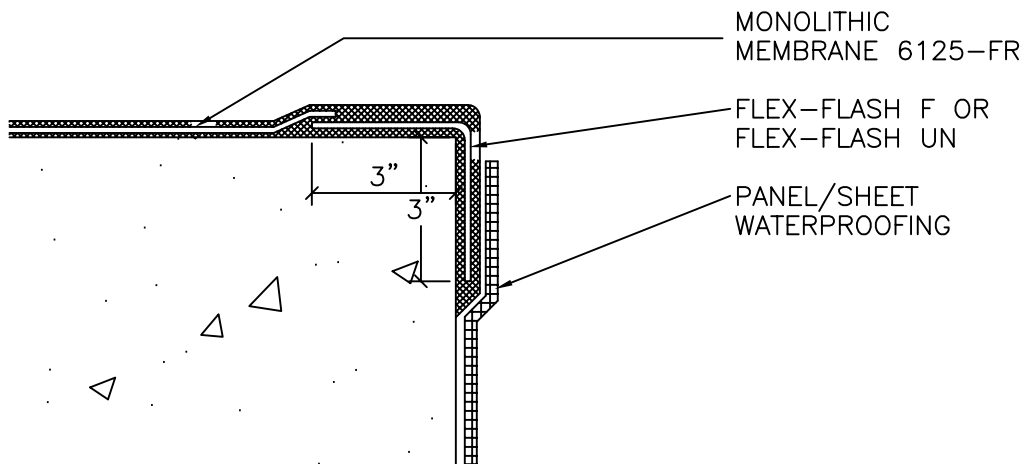


LIQUID MEMBRANE/COATING

NOTE: CHECK WITH OTHER WATERPROOFING MATERIAL SUPPLIER FOR SPECIFIC TIE-IN INSTRUCTIONS.

FOR HORIZONTAL TIE-INS, A 1/2" X 1/2" REGLET MUST BE CUT INTO THE DECK TO PROVIDE A WATER STOP FOR THE MEMBRANE.



VERTICAL WALL

NOTE: CHECK WITH OTHER WATERPROOFING MATERIAL SUPPLIER FOR SPECIFIC TIE-IN INSTRUCTIONS.



Monolithic Membrane
6125-FR
WATERPROOFING SYSTEMS

AMERICAN HYDROTECH, INC.

TYPICAL TIE-IN DETAILS

NO SCALE

W-14B