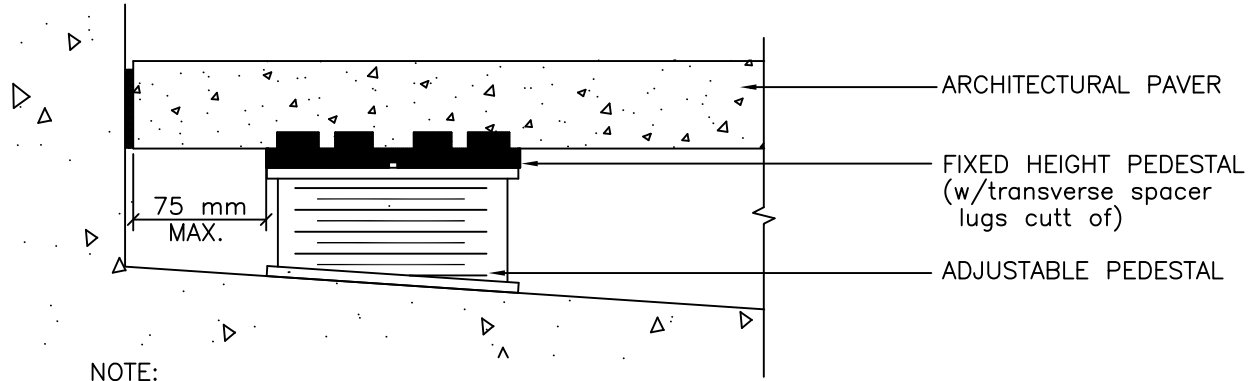
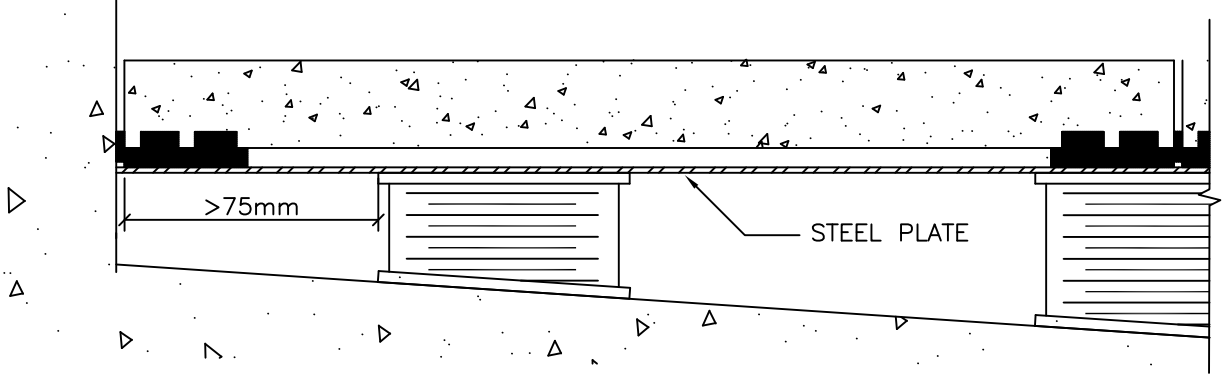


NOTE:
 AT TYPICAL TERMINATION POINTS, THE ADJUSTABLE PEDESTAL IS PLACED SUCH THAT 1/2 OF A FIXED HEIGHT PEDESTAL MAY BE BUTTED UP TO THE STRUCTURE (curb, wall, ect.)



NOTE:
 IF NECESSARY, THE PAVER MAY BE CANTILEVERED OUT PAST THE LAST ROW OF SUPPORTS. THE CANTILEVER SHOULD NOT EXCEED 75 mm W/O ADDITIONAL SUPPORT. PROPER EXPANSION/BUFFER MATERIAL SHOULD BE PLACED BETWEEN PAVER AND FLASHING.



NOTE:
 WHEN THE LAST PAVER NEEDS TO CANTILEVER > 75 mm, A STEEL PLATE, 125 X 660 X 9.5 mm, SHOULD BE LAID TO BRIDGE BETWEEN THE LAST 2 ADJUST. PED. FIXED HEIGHT PEDS. ARE THEN PLACED ON TOP OF THE STEEL PLATE TO SUPPORT AND SPACE THE PAVERS.

THE HEIGHT OF THE LAST 2 ROWS OF ADJUST. PEDS. NEEDS TO BE LOWERED, BY THE THICKNESS OF THE STEEL PLATE.



PLAZA DECK
 ASSEMBLY
 ARCHITECTURAL PAVER

CANTILEVERED TERMINATION

HYDROTECH MEMBRANE CORP.

NO SCALE

UAC-4